

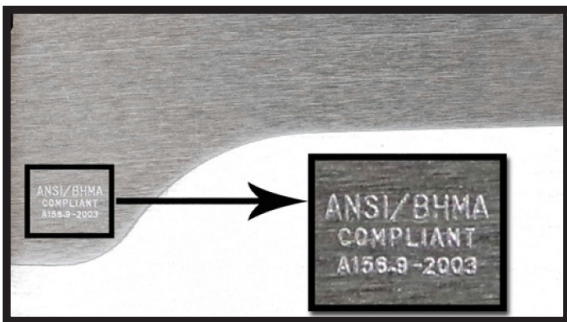
PRO SERIES

WÜRTH WOOD GROUP

OUR COMPLETE LINE OF SPECIALTY PRODUCTS



ANSI / BIFMA / BHMA PRODUCT TESTING AT A GLANCE



The Institute oversees the creation, promulgation and use of thousands of norms and guidelines that directly impact businesses in nearly every sector: from acoustical devices to construction equipment, from dairy and livestock production to energy distribution, and many more. ANSI is also actively engaged in accrediting programs that assess conformance to standards – including globally-recognized cross-sector programs such as the ISO 9000 (quality) and ISO 14000 (environmental) management systems.



Americans can take the comfort, safety, and durability of their workplace furniture for granted in large part because of the voluntary standards adopted by the business and institutional furniture industry. Chairs that support us securely day after day, casters that roll smoothly year after year, drawers that retain their shape even when jam-packed – these are some of the foundation stones of a safe and civilized workplace. BIFMA sponsors the development and maintenance of the standards behind these quiet achievements.



In addition to ensuring hardware quality and performance through its development of standards, BHMA also sponsors third-party certification of hardware products. Third-party certification is a formal process for independently verifying that a product meets specific requirements or criteria. Under the BHMA - sponsored certification program, manufacturers voluntarily submit a hardware product to independent laboratory testing to confirm that the product fully meets the criteria of its ANSI/BHMA standard. To make sure a certified product continues to conform to its underlying standard, in-factory audits of the product are conducted periodically. Products unable to pass the auditing process face loss of certification.

OUR PRODUCT



SAME FACTORY EVERY TIME

Our PRO VALUE PRODUCTS are shipped from the same factory for each order placed. This guarantees consistent quality and standards for all products ordered. Reducing variations in product quality, usability, and effectiveness.

LIMITED LIFETIME WARRANTY

Our PRO VALUE PRODUCTS are backed by a lifetime limited warranty. We will replace any defective or broken PRO VALUE Product.



BIFMA/ANSI TESTED AND RATED

Our PRO VALUE PRODUCTS have been tested to meet and exceed BIFMA/ANSI/BHMA standards.



PRO™ 50 SERIES



Type: ¾ Extension Epoxy Self-Closing
Mounting: Bottom
Weight Rating: 75 lbs.
Clearance: ½" + ⅓₂" -0
Material: 1.2mm Cold Rolled Steel
Hole Pattern: 32mm
Finish: Cream White
Industry Rated: BHMA, KCMA, BIFMA, ANSI



- ANSI/BIFMA Grade 1 tested
- Single captive design
- Double out stop with lift out disconnect
- Designed for frameless and face frame applications

Packing & Sold in: Full box quantities of 25 sets

- Use Euro screw or #8 flat head screw for cabinet member installation
- Use #7 or #8 flat head for drawer member installation

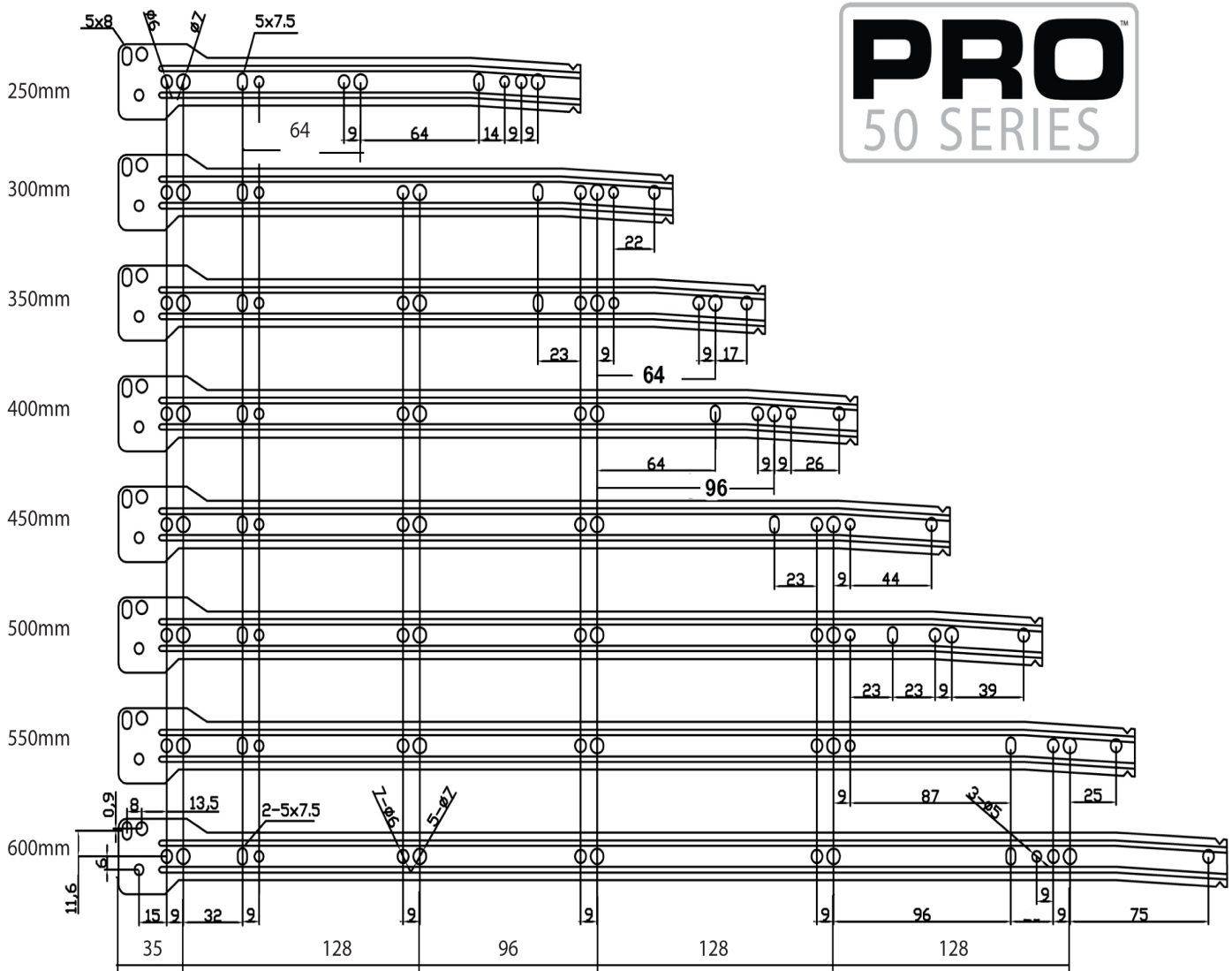
WHAT PRO SERIES MEANS TO YOU: QUALITY. AFFORDABLE. IN-STOCK.

- Backed by a limited lifetime warranty
- Inventoried locally for expedient delivery

| Item Number | Size | Price |
|-------------|------|--------|
| PRO5012 | 12" | \$1.09 |
| PRO5014 | 14" | \$1.24 |
| PRO5016 | 16" | \$1.40 |
| PRO5018 | 18" | \$1.55 |
| PRO5020 | 20" | \$1.67 |
| PRO5022 | 22" | \$1.94 |

| Item Number | Description | Price |
|-------------|----------------------------|--------|
| PROEUSKT2L | PRO 50 Rear Socket - Left | \$0.29 |
| PROEUSKT2R | PRO 50 Rear Socket - Right | \$0.29 |

PRO™ 50 SERIES



PRO™ 2.0 SERIES



Weight Rating: 100 lbs.
Type: Full Extension Ball Bearing
Mounting: Side
Material: Cold Rolled Steel
Industry Rated: BHMA, KCMA, BIFMA, ANSI, SEFA 8.99
Hole Pattern: 32mm
Finish: Bright Zinc - Clearance: 1/2" + 1/32" -0

- Continuous bearings ensure smooth and quiet performance
- Unhanded
- Lever disconnect

Packing & Sold in: Box quantity only. 10 pairs per box.

| Item Number | Size | Price Per Set | | |
|-------------|------|---------------|--------|--------|
| | | 10-30 | 40-90 | 100+ |
| PRO2012 | 12" | \$3.26 | \$2.99 | \$2.75 |
| PRO2014 | 14" | \$3.75 | \$3.51 | \$3.26 |
| PRO2016 | 16" | \$4.26 | \$4.07 | \$3.75 |
| PRO2018 | 18" | \$4.82 | \$4.56 | \$4.13 |
| PRO2020 | 20" | \$5.32 | \$5.01 | \$4.56 |
| PRO2022 | 22" | \$5.94 | \$5.56 | \$5.01 |

| Item Number | Description | Price |
|-------------|----------------------|--------|
| PRO20RB | PRO 2.0 Rear Bracket | \$0.34 |

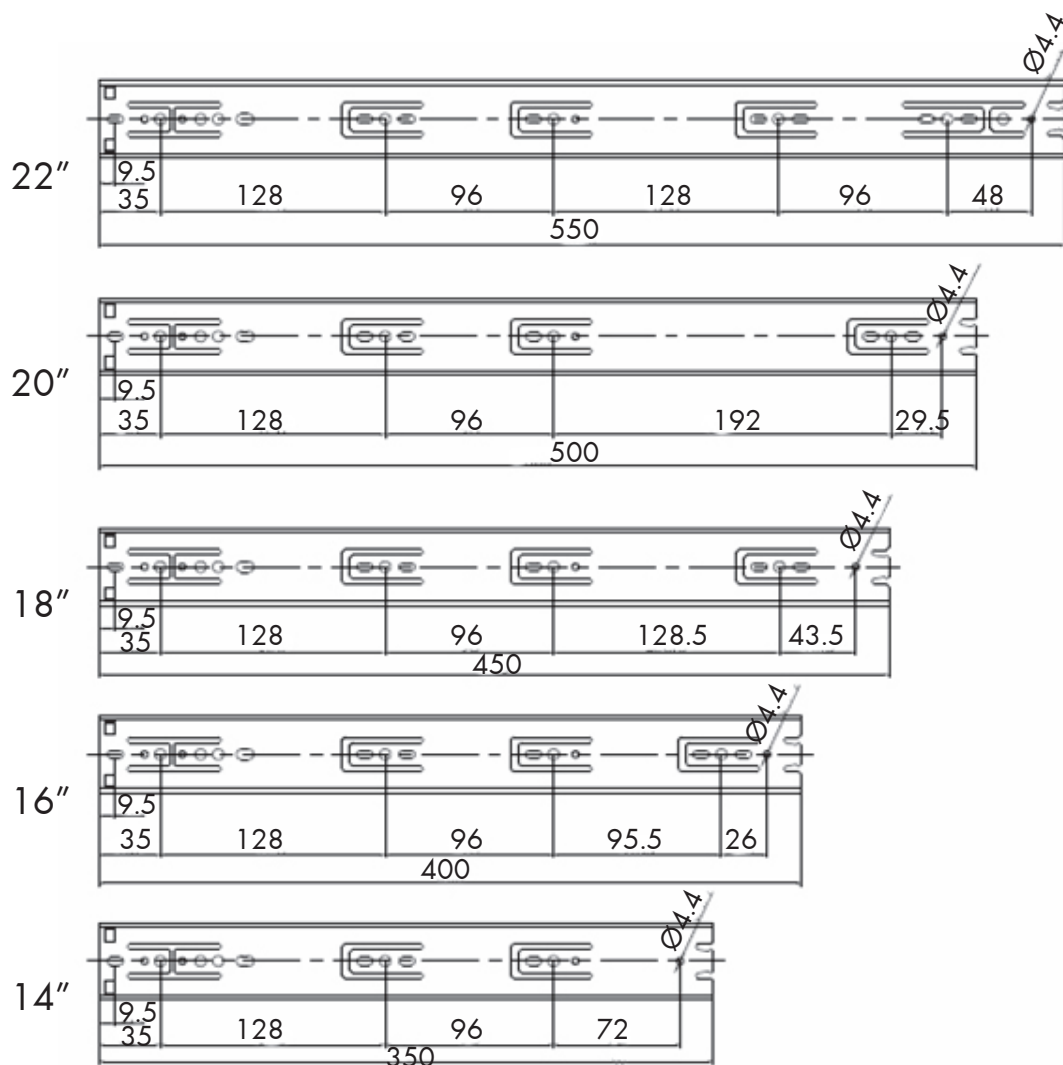
What Pro Series Means To You: Quality. Affordable. In-Stock.

- Backed by a limited lifetime warranty.
- Inventoried locally for expedient delivery.

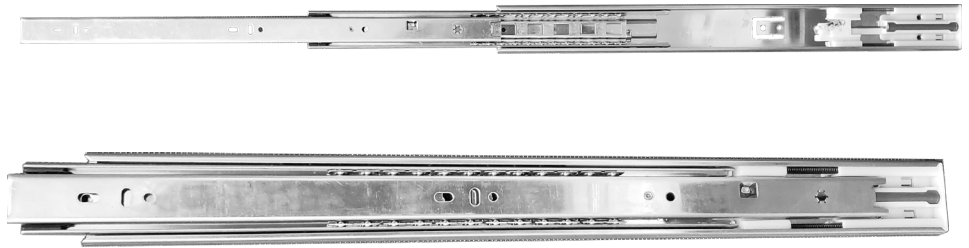
PRO 2.0 SERIES



- Use #7 or #8 pan head screw for cabinet and drawer member installation.



PRO™ SUPER RAIL SOFT-CLOSE SLIDE



Type: Soft-Close Full Extension Ball Bearing Slide

Mounting: Side

Weight Rating: 100 lbs.

Clearance: 1/2" + 1/32" -0

Lengths: 12" - 24"

Material: Cold Rolled Steel

Finish: Zinc Plated

Industry Rated: BHMA, KCMA, BIFMA, ANSI, SEFA 8.99

- Ultra smooth soft-close function
- Continuous bearings ensure smooth and quiet performance
- Unhanded
- Lever disconnect
- Designed for frameless and face frame applications

Packing & Sold in: Full box quantities of 10 sets

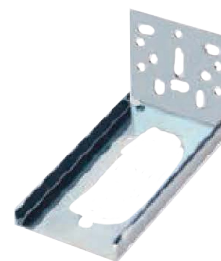
WHAT PRO SERIES MEANS TO YOU: QUALITY. AFFORDABLE. IN-STOCK.

- Backed by a limited lifetime warranty
- Inventoried locally for expedient delivery



Quantity price breaks by pairs of slide

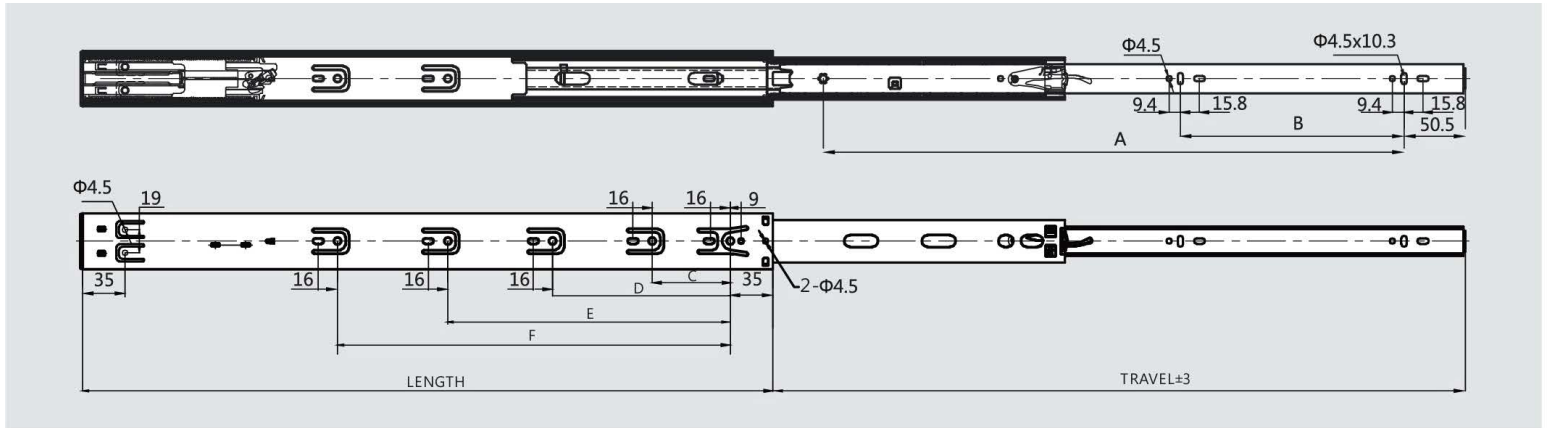
| Item Number | Size | 1 - 49 | 50 - 99 | 100 - 399 | 400+ |
|-------------|------|---------|---------|-----------|--------|
| PRO100SC12 | 12" | \$7.01 | \$6.84 | \$6.28 | \$5.80 |
| PRO100SC14 | 14" | \$7.61 | \$7.45 | \$6.82 | \$6.31 |
| PRO100SC16 | 16" | \$8.82 | \$8.40 | \$8.20 | \$6.95 |
| PRO100SC18 | 18" | \$9.18 | \$8.98 | \$8.22 | \$7.58 |
| PRO100SC20 | 20" | \$9.95 | \$9.73 | \$8.92 | \$8.24 |
| PRO100SC22 | 22" | \$10.92 | \$10.68 | \$9.79 | \$9.02 |
| PRO100SC24 | 24" | \$11.85 | \$11.62 | \$10.73 | \$9.95 |



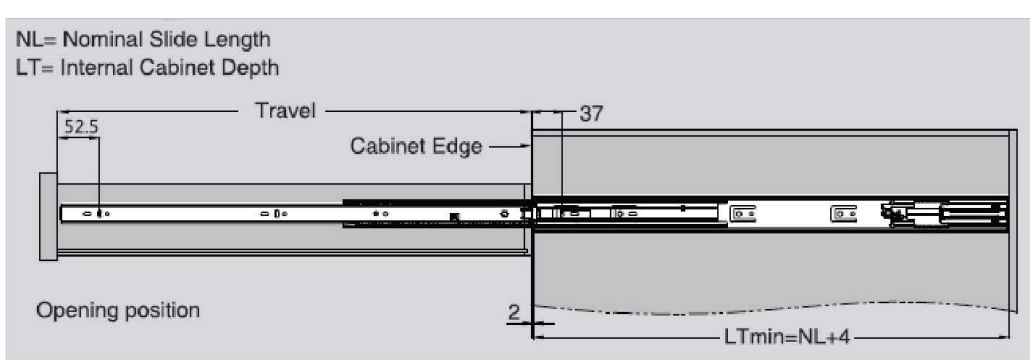
| Item Number | Description | Price per set |
|-------------|------------------------|---------------|
| PRO100SCRB | PRO 100SC Rear Bracket | \$0.69 |

PRO™ SUPER RAIL SOFT-CLOSE SLIDE

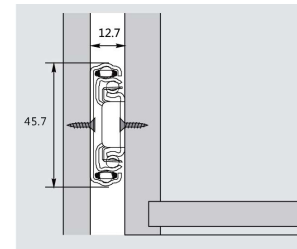
Screw Positions of the Slides (mm)



Installation Dimensions (mm)



Space Requirement



| Item Number | Size | Travel | Hole Pattern | | | | | |
|-------------|------|--------|--------------|-----|----|-----|-----|-----|
| | | | A | B | C | D | E | F |
| PRO100SC12 | 12" | 263.8 | 224 | 64 | 96 | - | - | - |
| PRO100SC14 | 14" | 335.3 | 256 | 96 | 64 | 128 | - | - |
| PRO100SC16 | 16" | 401 | 320 | 128 | 64 | 128 | 192 | - |
| PRO100SC18 | 18" | 451 | 352 | 160 | 64 | 128 | 224 | - |
| PRO100SC20 | 20" | 501 | 416 | 192 | 64 | 128 | 256 | - |
| PRO100SC22 | 22" | 551 | 448 | 224 | 64 | 128 | 224 | 320 |
| PRO100SC24 | 24" | 601 | 512 | 224 | 64 | 128 | 224 | 352 |

PRO™ 500 SERIES



Type: Soft-close, Full extension
Concealed UnderMount Slides

Weight Rating: 75 lbs.

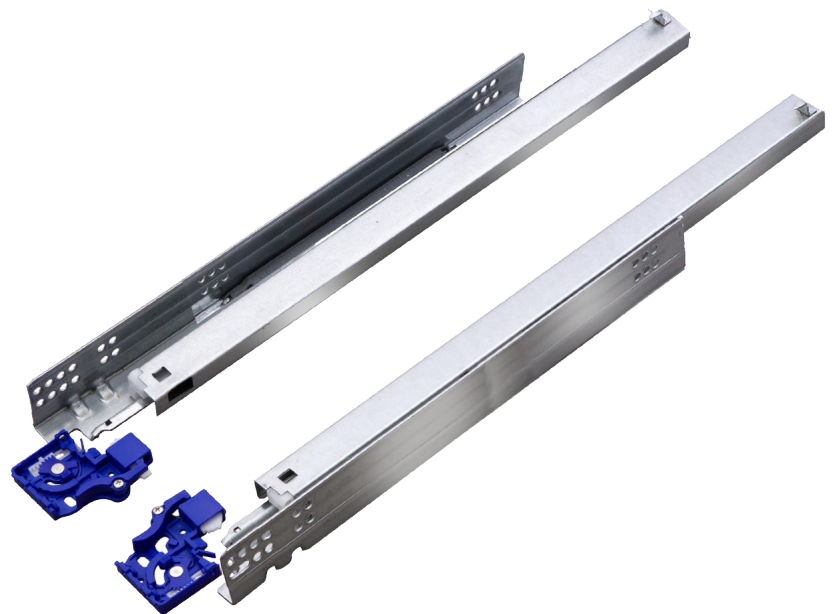
Material: Cold Rolled Steel

Hole Pattern: 32mm

Finish: Zinc

Industry Rated: BHMA, KCMA,
BIFMA, ANSI

- New front roller allows for smooth, quiet operation.
- New soft-close mechanism. The improved piston is larger capable of handling a fully loaded drawer.
- Front clip has a three screw Mounting design to allow attachment to front and side of drawer.
- Soft-close activated at 2 inches.
- One item number includes everything
- Slotted Mounting holes for depth adjustment.



Packing & Sold in: Full box
quantities of 6 sets

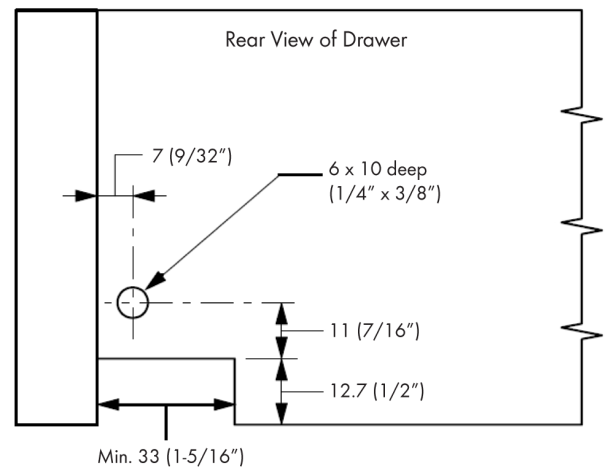
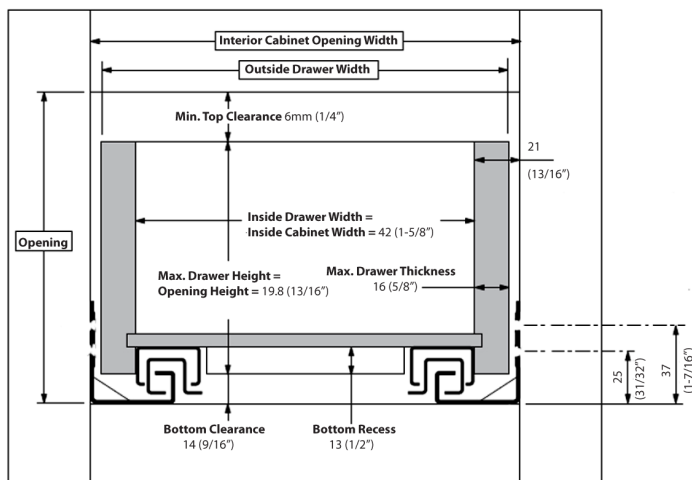
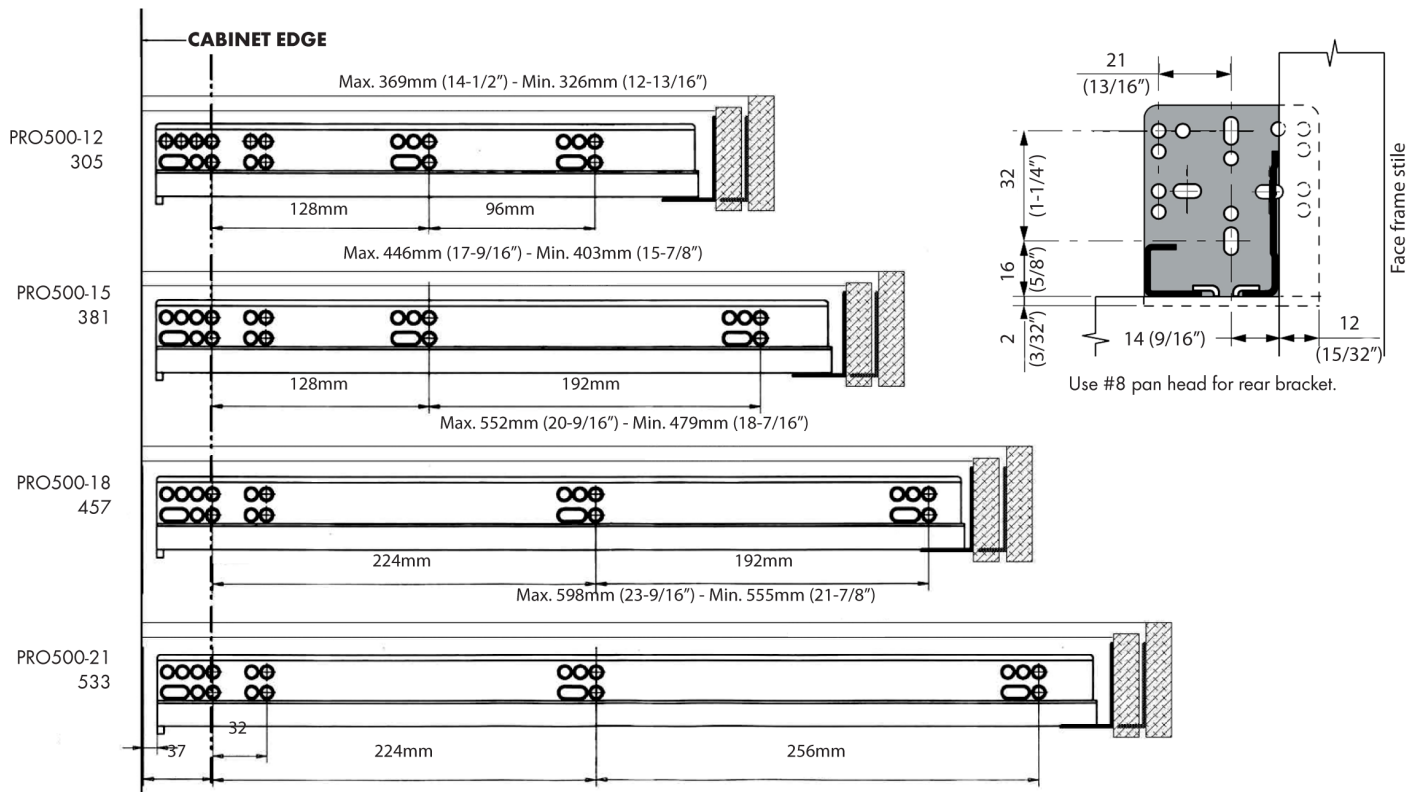
WHAT PRO SERIES MEANS TO YOU: QUALITY. AFFORDABLE. IN-STOCK.

- Backed by a limited lifetime warranty
- Inventoried locally for expedient delivery

Quantity price breaks by pairs of slide

| Item Number | Size | 1 - 29 | 30 - 59 | 60+ |
|-------------|------|---------|---------|---------|
| PRO50012 | 12" | \$14.40 | \$12.95 | \$11.53 |
| PRO50015 | 15" | \$15.84 | \$14.39 | \$12.95 |
| PRO50018 | 18" | \$17.27 | \$15.82 | \$14.40 |
| PRO50021 | 21" | \$17.62 | \$16.25 | \$14.89 |

PRO™ 500 SERIES



Use Euro screw or #8 flat head screw for cabinet member installation.

PRO™ 600 SERIES



Type: Concealed Undermount Slides
Extension: Full Extension
Weight Rating: 100 lbs.
Material: Cold Rolled Steel
Hole Pattern: 32mm
Finish: Zinc
Industry Rated: BHMA, KCMA, BIFMA, and ANSI

TESTED AT OVER 100,000 CYCLES - TWICE THE INDUSTRY STANDARD

- Includes 6-way adjustable locking devices with lever disconnect and rear metal brackets
- Soft close (activated at 2 inches)
- Depth adjustment: ideal for inset applications

Packing: Full box quantities of 6 sets

Quantity price breaks by pairs of slide

| Item Number | Size | 1 - 29 | 30 - 59 | 60+ |
|-------------|------|---------|---------|---------|
| PRO60012B | 12" | \$16.64 | \$15.01 | \$13.64 |
| PRO60015B | 15" | \$16.88 | \$15.26 | \$13.88 |
| PRO60018B | 18" | \$18.26 | \$16.64 | \$15.38 |
| PRO60021B | 21" | \$19.39 | \$17.51 | \$15.75 |

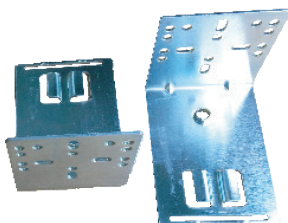
WHAT PRO SERIES MEANS TO YOU:

QUALITY. AFFORDABLE. IN-STOCK.

- Backed by a limited lifetime warranty
- Inventoried locally for expedient delivery

INCLUDED WITH SLIDES

METAL REAR BRACKETS



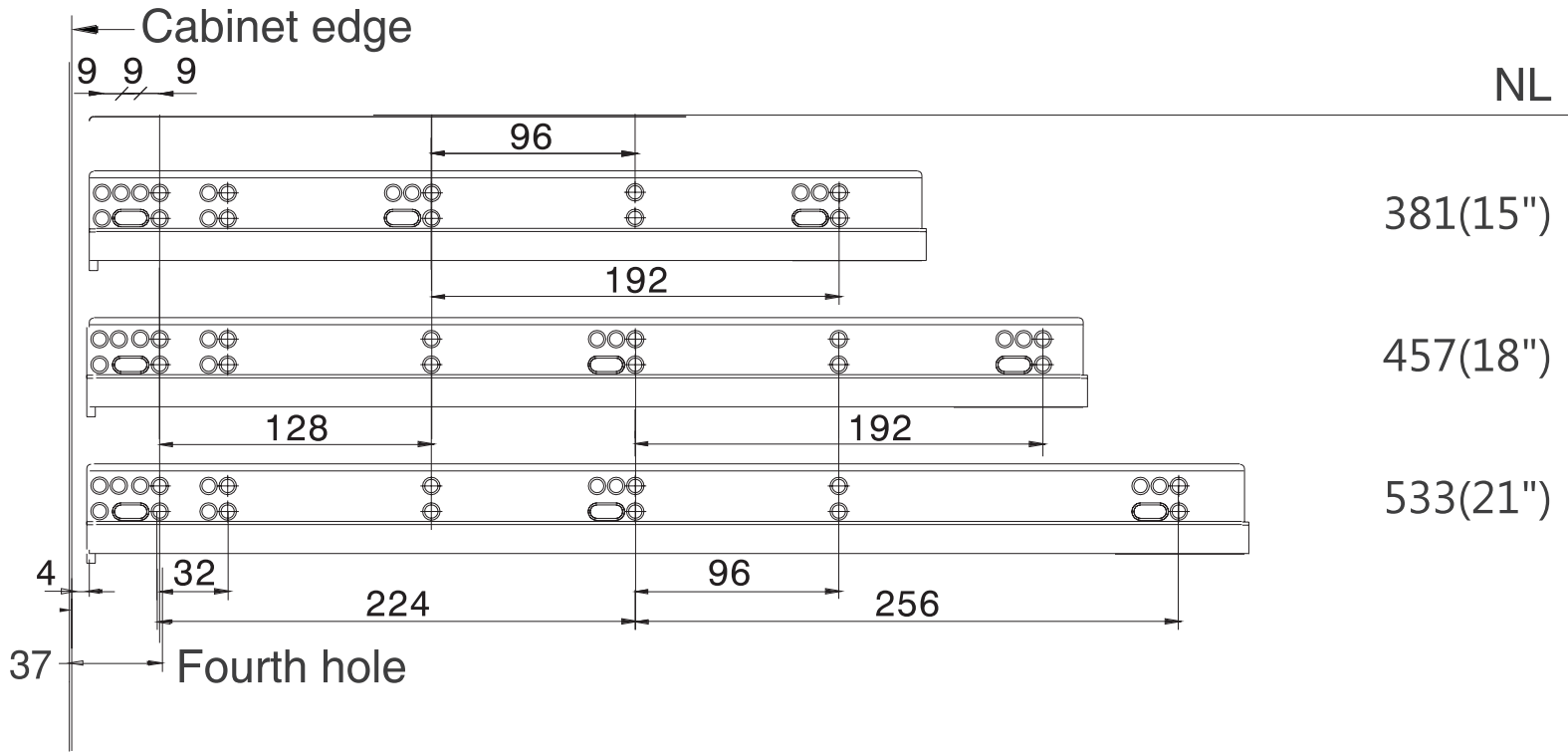
6-WAY ADJUSTABLE 3D LOCKING DEVICE*

- 1 Side:** ±1.5mm
- 2 Up & Down:** 0-3mm
- 3 Depth:** 0-3.5mm



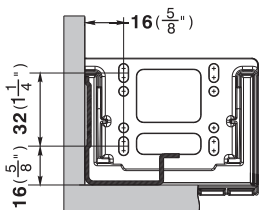
* Note: Pricing effective 10/28/19 - Subject to change without notice.

PRO™ 600 SERIES

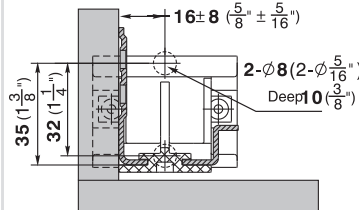


Rear Mounting Bracket Preparation, Back Preparation, Locking Device Installation (mm)

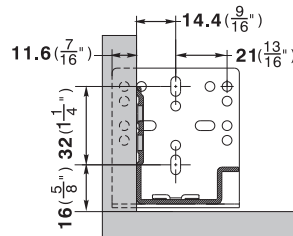
Plastic Rear Mounting Bracket for Drawer Length 229(9'')



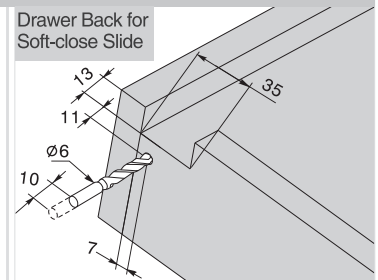
Plastic Rear Mounting Bracket for Drawer Length 305(12'')-533(21'')



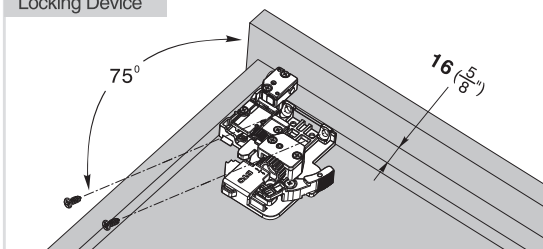
Metal Rear Mounting Bracket



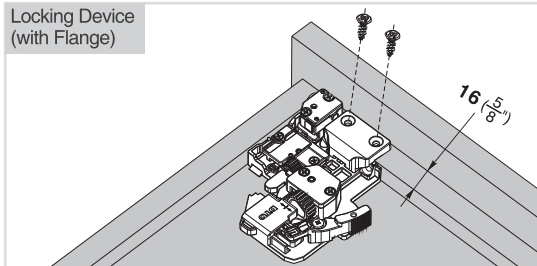
Drawer Back for Soft-close Slide



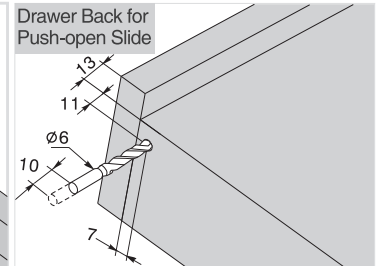
Locking Device



Locking Device (with Flange)



Drawer Back for Push-open Slide



PRO™ EUROBOX



Type: Metal drawer box system featuring PRO50 slides

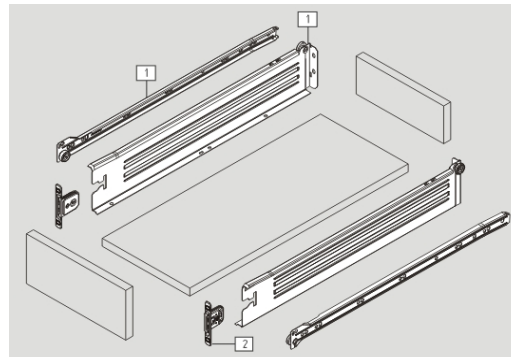
Industry Rated: BHMA, KCMA, BIFMA, ANSI

- Metal drawer system
- Self-Closing
- Double stop positions
- 2-D front panel adjustment
- 75lb load capacity
- Runner sets include cabinet member, drawer profiles and fixing brackets

**WHAT PRO SERIES MEANS TO YOU:
QUALITY. AFFORDABLE. IN-STOCK.**

- Backed by a limited lifetime warranty

* Please inquire for stock availability



narrow

| Item Number | Length | Height |
|----------------|--------|--------|
| PROEUROBOX250N | 250mm | 86mm |
| PROEUROBOX270N | 270mm | 86mm |
| PROEUROBOX300N | 300mm | 86mm |
| PROEUROBOX350N | 350mm | 86mm |
| PROEUROBOX400N | 400mm | 86mm |
| PROEUROBOX450N | 450mm | 86mm |
| PROEUROBOX500N | 500mm | 86mm |
| PROEUROBOX550N | 550mm | 86mm |

medium

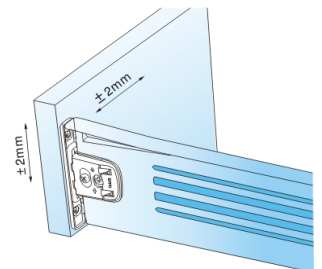
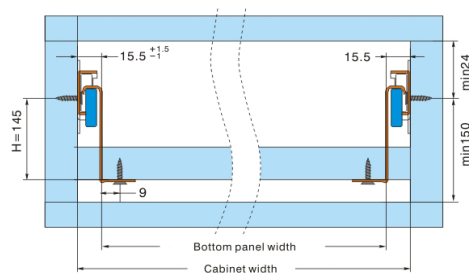
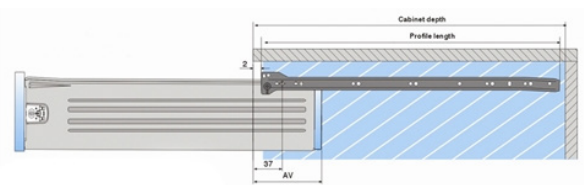
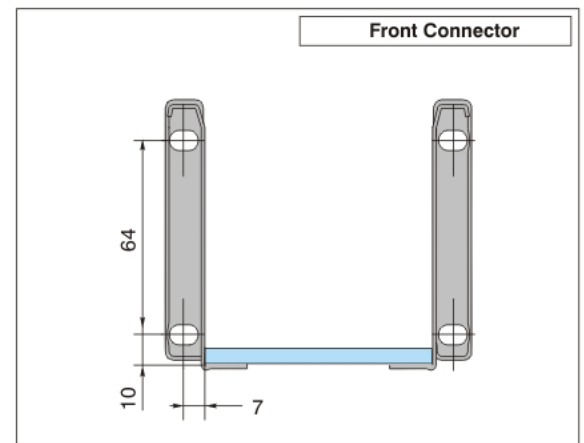
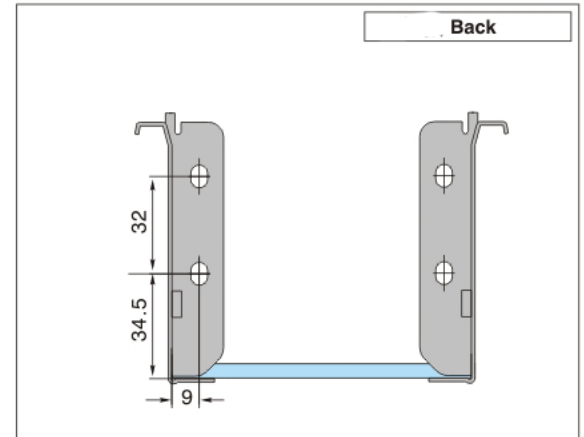
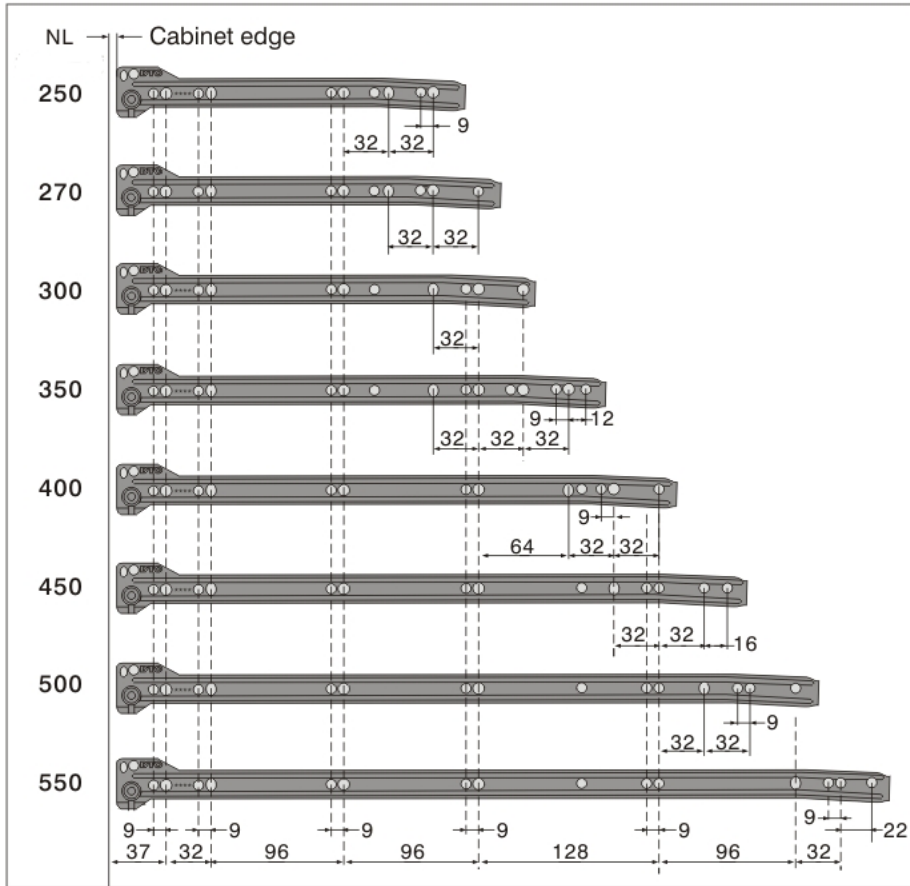
| Item Number | Length | Height |
|----------------|--------|--------|
| PROEUROBOX250M | 250mm | 118mm |
| PROEUROBOX270M | 270mm | 118mm |
| PROEUROBOX300M | 300mm | 118mm |
| PROEUROBOX350M | 350mm | 118mm |
| PROEUROBOX400M | 400mm | 118mm |
| PROEUROBOX450M | 450mm | 118mm |
| PROEUROBOX500M | 500mm | 118mm |
| PROEUROBOX550M | 550mm | 118mm |

high

| Item Number | Length | Height |
|----------------|--------|--------|
| PROEUROBOX250H | 250mm | 150mm |
| PROEUROBOX270H | 270mm | 150mm |
| PROEUROBOX300H | 300mm | 150mm |
| PROEUROBOX350H | 350mm | 150mm |
| PROEUROBOX400H | 400mm | 150mm |
| PROEUROBOX450H | 450mm | 150mm |
| PROEUROBOX500H | 500mm | 150mm |
| PROEUROBOX550H | 550mm | 150mm |

* Note: Pricing effective 10/28/19 - Subject to change without notice.

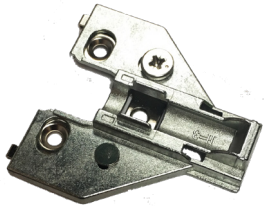
PRO™ EUROBOX



PRO HINGE PLATES



PRO DIECAST HINGE PLATE FOR FACE FRAME

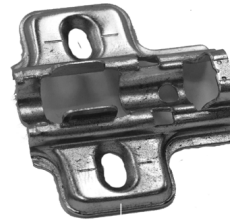


- Works with all PRO face frame hinges
- Available in 1mm and 3mm only
- Face frame hinge plate
- Nickel-plated
- Box quantity: 400

Quantity price breaks by each plate

| Thickness | Item Number | 1-399 | 400-799 | 800-1599 | 1600+ |
|-----------|-------------|--------|---------|----------|--------|
| 1mm | PRO89H10JQ | \$0.76 | \$0.71 | \$0.65 | \$0.59 |
| 3mm | PRO89H30JQ | \$0.76 | \$0.71 | \$0.65 | \$0.59 |

PRO HINGE PLATE

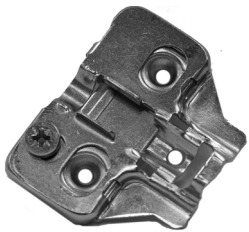


- Works with all PRO hinges
- All metal plate, nickel-plated
- Stamped Steel
- Box quantity: 400

Quantity price breaks by each plate

| Thickness | Item Number | 1-399 | 400-799 | 800-1599 | 1600+ |
|-----------|-------------|--------|---------|----------|--------|
| 0mm | PRO96H00AQ | \$0.26 | \$0.19 | \$0.16 | \$0.14 |
| 2mm | PRO96H20AQ | \$0.26 | \$0.19 | \$0.16 | \$0.14 |
| 4mm | PRO96H40AQ | \$0.33 | \$0.22 | \$0.20 | \$0.16 |

PRO HINGE PLATE WITH CAM ADJUST

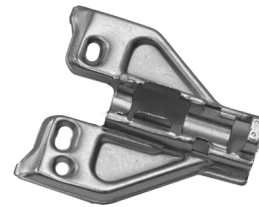


- Works with all PRO series cam hinges
- Stamped Steel
- Box quantity: 400

Quantity price breaks by each plate

| Thickness | Item Number | 1-399 | 400-799 | 800-1599 | 1600+ |
|-----------|-------------|--------|---------|----------|--------|
| 0mm | PRO96T00TQ | \$0.69 | \$0.47 | \$0.42 | \$0.35 |
| 2mm | PRO96T20TQ | \$0.56 | \$0.40 | \$0.35 | \$0.28 |
| 4mm | PRO96T40TQ | \$0.59 | \$0.41 | \$0.36 | \$0.31 |

PRO FACE FRAME HINGE PLATE

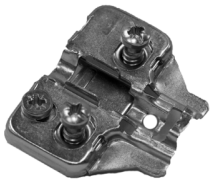


- Works with all PRO face frame hinges
- Available in 1mm and 3mm only
- Face frame hinge plate
- All metal plate, nickel-plated
- Stamped Steel
- Box quantity: 400

Quantity price breaks by each plate

| Thickness | Item Number | 1-399 | 400-799 | 800-1599 | 1600+ |
|-----------|-------------|--------|---------|----------|--------|
| 1mm | PRO96H10JQ | \$0.44 | \$0.32 | \$0.27 | \$0.22 |
| 3mm | PRO96H30JQ | \$0.44 | \$0.32 | \$0.27 | \$0.22 |

PRO HINGE PLATE WITH EURO SCREWS & CAM ADJUST

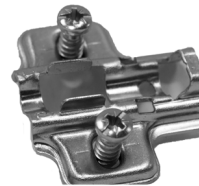


- Works with all PRO series cam hinges
- Stamped Steel
- Box quantity: 400

Quantity price breaks by each plate

| Thickness | Item Number | 1-399 | 400-799 | 800-1599 | 1600+ |
|-----------|-------------|--------|---------|----------|--------|
| 0mm | PRO96T02TQ | \$0.73 | \$0.51 | \$0.46 | \$0.36 |
| 2mm | PRO96T22TQ | \$0.75 | \$0.53 | \$0.46 | \$0.39 |
| 4mm | PRO96T42TQ | \$0.76 | \$0.54 | \$0.48 | \$0.40 |

PRO HINGE PLATE WITH EURO SCREWS



- Works with all PRO hinges
- Euro Screws
- Stamped Steel
- Box quantity: 400

Quantity price breaks by each plate

| Thickness | Item Number | 1-399 | 400-799 | 800-1599 | 1600+ |
|-----------|-------------|--------|---------|----------|--------|
| 0mm | PRO96H02AQ | \$0.36 | \$0.25 | \$0.22 | \$0.19 |
| 2mm | PRO96H22AQ | \$0.38 | \$0.27 | \$0.24 | \$0.20 |
| 4mm | PRO96H42AQ | \$0.40 | \$0.27 | \$0.25 | \$0.20 |

PRO HINGES



PRO COMPACT FACE FRAME PRESS-IN HINGE



- 3-way cam adjustable for self close
- 2-way cam adjustable for soft close
- One piece assembly
- Opening Angle: 105°
- Depth of hinge cup: 10.5mm
- Diameter of hinge cup: 35mm
- Drilling distance: 2.5mm
- Box quantity: 300

Quantity price breaks by each hinge

| Overlay | Mount | Item Number | 1-299 | 300-599 | 600+ |
|---------|-------------|--------------|--------|---------|--------|
| 1/2" | wrap around | PRORED123 | \$1.16 | \$1.05 | \$0.87 |
| 1 1/4" | wrap around | PRORED1143 | \$1.34 | \$0.94 | \$0.70 |
| 1/2" | wrap around | PRORED122SC | \$1.35 | \$1.26 | \$1.19 |
| 1 1/4" | wrap around | PRORED1142SC | \$1.40 | \$1.31 | \$1.24 |

PRO C80 110° PRESS-IN HINGE



- 110° Opening Angle
- 8mm dowels
- All metal hinge, nickel-plated
- Box quantity: 200

Quantity price breaks by each hinge

| Closing | Overlay | Item Number | 1-199 | 200-399 | 400+ |
|------------|---------|--------------|--------|---------|--------|
| Self-close | inset | PROC80C675N | \$1.34 | \$0.94 | \$0.67 |
| Soft-close | inset | PROC80C675NF | \$2.66 | \$2.33 | \$1.69 |

PRO C85 ANGLED PRESS-IN HINGES



- +30°, +45°, +90°
- Cam Adjust
- 8mm dowel
- All metal hinge, nickel-plated
- Box quantity: 200

Quantity price breaks by each hinge

| Closing | Opening | Angle | Item Number | 1-199 | 200-399 | 400+ |
|------------|---------|-------|-------------|--------|---------|--------|
| Self-close | 95° | +30° | PROC85W615N | \$2.33 | \$1.64 | \$1.19 |
| Self-close | 95° | +45° | PROC85E615N | \$2.38 | \$1.66 | \$1.21 |
| Self-close | 100° | +90° | PROC85J6A5N | \$2.38 | \$1.66 | \$1.21 |

PRO C80 155° PRESS-IN HINGE



- 155° Opening Angle
- 8mm dowel
- All metal hinge, nickel-plated
- Box quantity: 100

Quantity price breaks by each hinge

| Closing | Overlay | Item Number | 1-99 | 100-199 | 200+ |
|------------|---------|--------------|--------|---------|--------|
| Self-close | full | PROC80A605N | \$3.34 | \$2.73 | \$1.99 |
| Soft-close | full | PROC80A605NF | \$4.35 | \$3.81 | \$3.09 |

PRO C80 125° INSERTION HINGE



- 125° Opening Angle
- 8mm dowel
- 1/4 Turn insertion
- All metal hinge, nickel-plated
- Box quantity: 200

Quantity price breaks by each hinge

| Closing | Overlay | Item Number | 1-199 | 200-399 | 400+ |
|------------|---------|---------------|--------|---------|--------|
| Self-close | full | PROC80A675T8 | \$0.88 | \$1.11 | \$0.99 |
| Soft-close | full | PROC80A675T8F | \$1.75 | \$2.34 | \$2.09 |

PRO C80 125° PRESS-IN HINGE



- 125° Opening Angle
- 8mm dowel
- All metal hinge, nickel-plated
- Box quantity: 200

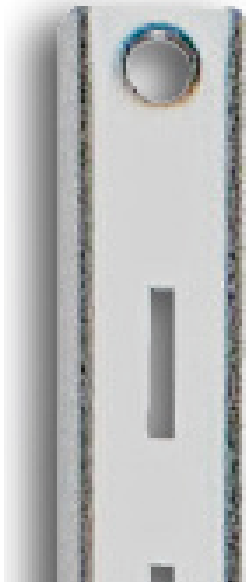
Quantity price breaks by each hinge

| Closing | Overlay | Item Number | 1-199 | 200-399 | 400+ |
|------------|---------|--------------|--------|---------|--------|
| Self-close | full | PROC80A685N | \$1.59 | \$1.12 | \$0.82 |
| Self-close | half | PROC80B685N | \$1.48 | \$1.04 | \$0.75 |
| Soft-close | full | PROC80A685NF | \$3.69 | \$2.59 | \$1.89 |
| Soft-close | half | PROC80B685NF | \$3.69 | \$2.59 | \$1.89 |

PRO STANDARDS



Pro Single Standards



- ANSI/BHMA Grade II rated single standards.
- Standard single slots are spaced in 2" increments.
- Material: Heavy Duty 12-gauge steel
- Finish: Zinc
- Dimensions: 7/8" wide x 1 1/16" deep
- Packing: Full box quantity of 10.

COMPARABLE TO

87 series

each standard

| Item Number | Size | 1 - 9 | 10+ |
|--------------|------|---------|---------|
| PROSSNGL24ZC | 24" | \$3.94 | \$3.70 |
| PROSSNGL36ZC | 36" | \$5.86 | \$5.16 |
| PROSSNGL48ZC | 48" | \$7.95 | \$6.84 |
| PROSSNGL60ZC | 60" | \$9.87 | \$9.08 |
| PROSSNGL72ZC | 72" | \$11.80 | \$10.86 |
| PROSSNGL84ZC | 84" | \$13.82 | \$12.44 |
| PROSSNGL96ZC | 96" | \$15.72 | \$14.70 |

Pro Double Standards



- ANSI/BHMA Grade II rated double standards.
- Standard double slots are spaced in 1" increments.
- Material: 16-gauge steel
- Finish: Zinc
- Dimensions: 1-1/4" wide x 1/2" deep
- Packing: Full box quantity of 20 (Sizes 24" - 60") & 10 (72" - 96").

COMPARABLE TO

85 series

each standard

| Item Number | Size | 1 - 19 | 20+ |
|-------------|------|--------|--------|
| PROSDBL24ZC | 24" | \$2.12 | \$1.98 |
| PROSDBL36ZC | 36" | \$3.12 | \$2.84 |
| PROSDBL48ZC | 48" | \$4.23 | \$3.84 |
| PROSDBL60ZC | 60" | \$5.23 | \$4.74 |

| Item Number | Size | 1 - 9 | 10+ |
|-------------|------|--------|--------|
| PROSDBL72ZC | 72" | \$6.41 | \$5.93 |
| PROSDBL84ZC | 84" | \$7.33 | \$6.81 |
| PROSDBL96ZC | 96" | \$8.46 | \$7.86 |

PRO STANDARDS



PRO Premier Double Standards



- ANSI/BHMA Grade II rated double standards.
- Standard double slots are spaced in 1" increments.
- Pre-drilled for ease of installation and a smooth finish.
- Material: 14-gauge steel
- Finish: White
- Dimensions: 1.05" wide x 0.69" deep
- Packing: Full box quantity of 10.

COMPARABLE TO

82 series

each standard

| Item Number | Size | 1 - 9 | 10+ |
|---------------|-------|--------|--------|
| PROSPRDBL16WH | 16.5" | \$1.53 | \$1.46 |
| PROSPRDBL28WH | 28" | \$2.38 | \$2.27 |
| PROSPRDBL39WH | 39" | \$3.30 | \$3.14 |
| PROSPRDBL48WH | 48" | \$4.05 | \$3.86 |
| PROSPRDBL63WH | 63" | \$5.25 | \$5.00 |
| PROSPRDBL78WH | 78" | \$6.43 | \$6.13 |
| PROSPRDBL94WH | 94" | \$8.35 | \$7.95 |

Pro Regular Duty Standards



- ANSI/BHMA Grade II rated single standards.
- Standard single slots are spaced in 1" increments.
- Material: Heavy Duty 12-gauge steel
- Finish: **(Zinc 17C or White WHC)**
- Dimensions: 5/8" wide x 13/32" deep
- Packing: Full box quantity of 10.

COMPARABLE TO

80 series

each standard

| Item Number | Size | 1 - 9 | 10+ | Color |
|----------------|------|--------|--------|-------|
| PROB016412117C | 12" | \$1.06 | \$0.96 | zinc |
| PROB016424117C | 24" | \$1.69 | \$1.53 | zinc |
| PROB016436117C | 36" | \$2.53 | \$2.29 | zinc |
| PROB016448117C | 48" | \$3.36 | \$3.04 | zinc |
| PROB016460117C | 60" | \$4.20 | \$3.79 | zinc |
| PROB016472117C | 72" | \$5.03 | \$4.55 | zinc |
| PROB016496117C | 96" | \$6.70 | \$6.06 | zinc |
| Item Number | Size | 1 - 9 | 10+ | Color |
| PROB0164121WHC | 12" | \$1.08 | \$0.98 | white |
| PROB0164241WHC | 24" | \$1.76 | \$1.59 | white |
| PROB0164361WHC | 36" | \$2.62 | \$2.37 | white |
| PROB0164481WHC | 48" | \$3.48 | \$3.14 | white |
| PROB0164601WHC | 60" | \$4.33 | \$3.92 | white |
| PROB0164721WHC | 72" | \$5.19 | \$4.69 | white |
| PROB0164961WHC | 96" | \$6.91 | \$6.24 | white |

PRO BRACKETS



Pro Single Brackets



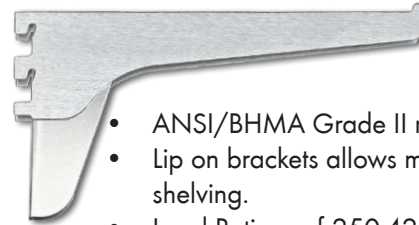
- ANSI/BHMA Grade II rated single brackets.
- Equipped with locking mechanism for added security and immobilization.
- Load Ratings of 250-425 lbs. per pair (based on Length of bracket).
- Material: Heavy Duty 12-gauge steel
- Finish: Zinc
- Packing: Full box quantity of 20.

COMPARABLE TO

187 series

| Item Number | Size | each bracket | |
|--------------|------|--------------|--------|
| | | 1 - 19 | 20+ |
| PROBSNGL12ZC | 12" | \$4.09 | \$3.86 |
| PROBSNGL14ZC | 14" | \$4.37 | \$4.14 |
| PROBSNGL16ZC | 16" | \$4.80 | \$4.54 |
| PROBSNGL18ZC | 18" | \$5.08 | \$4.70 |
| PROBSNGL20ZC | 20" | \$5.46 | \$5.18 |
| PROBSNGL22ZC | 22" | \$6.28 | \$5.92 |
| PROBSNGL24ZC | 24" | \$7.54 | \$6.94 |

Pro Double Brackets



- ANSI/BHMA Grade II rated double brackets.
- Lip on brackets allows more level and secure shelving.
- Load Ratings of 250-425 lbs. per pair (based on Length of bracket).
- Material: 16-gauge steel
- Finish: Zinc
- Packing: Full box quantity of 20.

COMPARABLE TO

185 series

| Item Number | Size | each bracket | |
|-------------|------|--------------|--------|
| | | 1 - 19 | 20+ |
| PROBDBL8ZC | 8" | \$3.68 | \$3.43 |
| PROBDBL10ZC | 10" | \$3.85 | \$3.59 |
| PROBDBL12ZC | 12" | \$4.08 | \$3.88 |
| PROBDBL14ZC | 14" | \$4.33 | \$4.07 |
| PROBDBL16ZC | 16" | \$4.58 | \$4.29 |
| PROBDBL18ZC | 18" | \$4.89 | \$4.57 |
| PROBDBL20ZC | 20" | \$5.40 | \$5.08 |
| PROBDBL22ZC | 22" | \$7.79 | \$7.30 |
| PROBDBL24ZC | 24" | \$8.24 | \$7.63 |

PRO BRACKETS



PRO Premier Double Brackets



- ANSI/BHMA Grade II rated double brackets.
- Load Ratings of 200-425 lbs. per pair (based on Length of bracket)
- Material: 14-gauge steel
- Finish: White
- Packing: Full box quantity of 10.

Pro Regular Duty Brackets



- ANSI/BHMA Grade II rated single brackets.
- Material: Heavy Duty 12-gauge steel
- Finish: **(Zinc 22C or White WHC)**
- Packing: Full box quantity of 10.

COMPARABLE TO

182 series

| Item Number | Size | each bracket | |
|---------------|-------|--------------|--------|
| | | 1 - 9 | 10+ |
| PROBPRDBL9WH | 9" | \$1.29 | \$1.22 |
| PROBPRDBL10WH | 10.5" | \$1.53 | \$1.44 |
| PROBPRDBL12WH | 12.5" | \$1.63 | \$1.55 |
| PROBPRDBL14WH | 14.5" | \$2.05 | \$1.96 |
| PROBPRDBL18WH | 18.5" | \$3.13 | \$2.96 |
| PROBPRDBL24WH | 24.5" | \$4.50 | \$4.29 |

COMPARABLE TO

180 series

| Item Number | Size | each bracket | | Color |
|----------------|------|--------------|--------|-------|
| | | 1 - 19 | 20+ | |
| PROB016506122C | 6" | \$0.99 | \$0.90 | zinc |
| PROB016508122C | 8" | \$1.22 | \$1.10 | zinc |
| PROB016510122C | 10" | \$1.35 | \$1.22 | zinc |
| PROB016512122C | 12" | \$1.56 | \$1.41 | zinc |
| PROB016514122C | 14" | \$1.74 | \$1.57 | zinc |
| PROB016516122C | 16" | \$2.01 | \$1.82 | zinc |
| PROB016518122C | 18" | \$2.84 | \$2.57 | zinc |
| PROB016520122C | 20" | \$3.09 | \$2.80 | zinc |
| Item Number | Size | 1 - 19 | 20+ | Color |
| PROB0165061WHC | 6" | \$1.02 | \$0.92 | white |
| PROB0165081WHC | 8" | \$1.24 | \$1.12 | white |
| PROB0165101WHC | 10" | \$1.40 | \$1.27 | white |
| PROB0165121WHC | 12" | \$1.60 | \$1.45 | white |
| PROB0165141WHC | 14" | \$1.78 | \$1.61 | white |
| PROB0165161WHC | 16" | \$2.08 | \$1.88 | white |
| PROB0165181WHC | 18" | \$2.91 | \$2.63 | white |
| PROB0165201WHC | 20" | \$3.21 | \$2.90 | white |

PRO PILASTERS



PRO PILASTERS

- Ideal for Cabinets and Bookcases
- High Strength Steel with Bright Zinc Finish
- Recess or Surface Mount
- Fully Adjustable in ½" increments
- Available in lengths from 12" - 96"



| Item Number | Size | Per Box | Price |
|----------------|------|---------|--------|
| PROPIASTER12ZC | 12" | 100 | \$0.42 |
| PROPIASTER18ZC | 18" | 100 | \$0.52 |
| PROPIASTER24ZC | 24" | 100 | \$0.59 |
| PROPIASTER30ZC | 30" | 100 | \$0.75 |
| PROPIASTER36ZC | 36" | 100 | \$0.89 |
| PROPIASTER48ZC | 48" | 100 | \$1.29 |
| PROPIASTER60ZC | 60" | 100 | \$1.49 |
| PROPIASTER72ZC | 72" | 50 | \$1.89 |
| PROPIASTER84ZC | 84" | 50 | \$2.09 |
| PROPIASTER96ZC | 96" | 50 | \$2.25 |

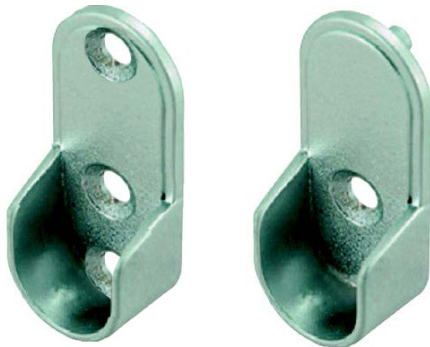
| Item Number | Description | Price |
|--------------|--------------------------------|--------|
| PROCLIPZC | PRO Zinc Support 100/Box | \$0.10 |
| PROBBLCLIPZC | PRO Zinc Support 9,000/Barrell | \$579 |

PRO CLOSET ROD



PRO CLOSET ROD

- Chrome oval closet rod - steel
- 1-1/8" (30mm) x 5/8" (15mm) dia x 8' length
- Chrome oval rod supports available in screw on or press in



| Item Number | Description | Price |
|-------------|---|--------|
| PRO13102503 | PRO Oval Closet Rod Chrome (30MM X 15MM X 8') | \$4.25 |
| PRO12101001 | PRO Oval Support Screw On Chrome | \$0.20 |
| PRO12103001 | PRO Oval Support Press In Chrome | \$0.20 |

**SAVE
TIME,
ORDER
ONLINE.**

Place your next order online at WurthWoodGroup.com

Our website makes ordering fast & convenient!

Make sure to checkout our advanced search
functionality!

PRO SHEET VENEER



PRO SHEET VENEER

- High end decorative hardwood veneer faces
- 4' x 8' sheets
 - Birch
 - Cherry
 - Mahogany
 - Maple
 - Red Oak
 - Walnut

| Species | Size | Backer | Item Number |
|----------|---------|----------------|--------------|
| Birch | 4' x 8' | 10 mil | PRO48VBIR |
| Birch | 4' x 8' | wood over wood | PRO48VBIRWOW |
| Cherry | 4' x 8' | 10 mil | PRO48VCHE |
| Cherry | 4' x 8' | wood over wood | PRO48VCHEWOW |
| Mahogany | 4' x 8' | 10 mil | PRO48VMAH |
| Maple | 4' x 8' | 10 mil | PRO48VMAP |
| Maple | 4' x 8' | wood over wood | PRO48VMAPWOW |
| Red Oak | 4' x 8' | 10 mil | PRO48VRO |
| Red Oak | 4' x 8' | wood over wood | PRO48VROWOW |
| Walnut | 4' x 8' | 10mil | PRO48VWAL |
| Walnut | 4' x 8' | wood over wood | PRO48VWALWOW |

PRO AEROSOL



Contact Adhesive:

- Designed for professional use
- Combines ease of use with very high strength, quick tack and dry time
- High solids and high temperature

Laminate Lubricant:

- Specially formulated for use with plastic laminates
- This highly concentrated silicone formula leaves a protective coating that will shield plastic laminates from burns and scratches caused by self-piloting router bits
- Trim laminate easily and effectively, reduces burning and will not scratch

Dry Lubricant:

- Formulated to reduce friction and eliminate hang ups on work surfaces
- Perfect for saw tables, drill presses, planers, lathes and all hand tools
- Protects from rust
- Easier and faster to apply than paste wax

| Item Number | Description | each can | |
|-------------|--------------------|----------|--------|
| | | 1-11 | 12+ |
| PRO4019AA | Dry Lubricant | \$7.72 | \$6.82 |
| PRO4018AA | Laminate Lubricant | \$5.46 | \$4.82 |
| PRO4001AA | Contact Adhesive | \$8.97 | \$7.92 |

PRO PLYWOOD



PROTM

PLYWOOD SERIES

Frustrated with the inconsistencies of graded plywood?

Wurth Wood Group now offers an exclusive solution where grade doesn't matter, performance does.

WHY PRO PLYWOOD?

| Plywood Attribute | PRO Cabinet | PRO Plus+ | PRO Select |
|-----------------------------|-------------------------------------|-------------------------------------|-------------------------------------|
| Domestic | <input checked="" type="checkbox"/> | <input checked="" type="checkbox"/> | <input checked="" type="checkbox"/> |
| Whole Piece Face | <input checked="" type="checkbox"/> | <input checked="" type="checkbox"/> | <input checked="" type="checkbox"/> |
| Painted Finishes | <input checked="" type="checkbox"/> | <input checked="" type="checkbox"/> | <input checked="" type="checkbox"/> |
| Dark Stained Finishes | | <input checked="" type="checkbox"/> | <input checked="" type="checkbox"/> |
| Medium Stained Finishes | | <input checked="" type="checkbox"/> | <input checked="" type="checkbox"/> |
| Clear Finishes | | | <input checked="" type="checkbox"/> |
| Limited Defects | | | <input checked="" type="checkbox"/> |
| Best Color Consistency | | | <input checked="" type="checkbox"/> |
| Best Multi-Use Capabilities | | | <input checked="" type="checkbox"/> |

PRO PLYWOOD



| Item Number | Veneer | finish | Size |
|--------------|---------------|------------|--------------|
| 14MAPPROCAB | Maple Cabinet | unfinished | 1/4" 4' x 8' |
| 14MAPPROPLUS | Maple Plus | unfinished | 1/4" 4' x 8' |
| 14MAPPROSEL | Maple Select | unfinished | 1/4" 4' x 8' |
| 12MAPPROCAB | Maple Cabinet | unfinished | 1/2" 4' x 8' |
| 12MAPPROPLUS | Maple Plus | unfinished | 1/2" 4' x 8' |
| 12MAPPROSEL | Maple Select | unfinished | 1/2" 4' x 8' |
| 34MAPPROCAB | Maple Cabinet | unfinished | 3/4" 4' x 8' |
| 34MAPPROPLUS | Maple Plus | unfinished | 3/4" 4' x 8' |
| 34MAPPROSEL | Maple Select | unfinished | 3/4" 4' x 8' |

*Subject to stocking and availability. Check with your local sales representative for more information

| Item Number | Veneer | finish | Size |
|-----------------|---------------|--------|--------------|
| 14MAPPROCABUV1 | Maple Cabinet | 1 side | 1/4" 4' x 8' |
| 14MAPPROPLUSUV1 | Maple Plus | 1 side | 1/4" 4' x 8' |
| 14MAPPROSELUV1 | Maple Select | 1 side | 1/4" 4' x 8' |
| 12MAPPROCABUV1 | Maple Cabinet | 1 side | 1/2" 4' x 8' |
| 12MAPPROPLUSUV1 | Maple Plus | 1 side | 1/2" 4' x 8' |
| 12MAPPROSELUV1 | Maple Select | 1 side | 1/2" 4' x 8' |
| 34MAPPROCABUV1 | Maple Cabinet | 1 side | 3/4" 4' x 8' |
| 34MAPPROPLUSUV1 | Maple Plus | 1 side | 3/4" 4' x 8' |
| 34MAPPROSELUV1 | Maple Select | 1 side | 3/4" 4' x 8' |

*Subject to stocking and availability. Check with your local sales representative for more information

| Item Number | Veneer | finish | Size |
|-----------------|---------------|---------|--------------|
| 12MAPPROCABUV2 | Maple Cabinet | 2 sides | 1/2" 4' x 8' |
| 12MAPPROPLUSUV2 | Maple Plus | 2 sides | 1/2" 4' x 8' |
| 12MAPPROSELUV2 | Maple Select | 2 sides | 1/2" 4' x 8' |
| 34MAPPROCABUV2 | Maple Cabinet | 2 sides | 3/4" 4' x 8' |
| 34MAPPROPLUSUV2 | Maple Plus | 2 sides | 3/4" 4' x 8' |
| 34MAPPROSELUV2 | Maple Select | 2 sides | 3/4" 4' x 8' |

*Subject to stocking and availability. Check with your local sales representative for more information

PRO EDGEBANDING



PRO EDGEBANDING

- Available in Prefinished or Unfinished
- Available in Pre Glued or No Glue
- Available Species Include:

- Birch
- Cherry
- Mahogany
- Maple
- Red Oak
- Walnut
- White Oak

PRO EDGEBANDING



UNFINISHED

| Species | Finish | Width x Length | Description | Item Number |
|-----------|------------|----------------|-------------|-------------|
| Birch | Unfinished | 7/8" x 250' | Pre-glued | PROBIR78PG |
| Birch | Unfinished | 7/8" x 500' | No Glue | PROBIR78NG |
| Cherry | Unfinished | 7/8" x 250' | Pre-glued | PROCHE78PG |
| Cherry | Unfinished | 7/8" x 500' | No Glue | PROCHE78NG |
| Mahogany | Unfinished | 7/8" x 500' | No Glue | PROMAH78NG |
| Maple | Unfinished | 7/8" x 250' | Pre-glued | PROMAP78PG |
| Maple | Unfinished | 7/8" x 500' | No Glue | PROMAP78NG |
| Red Oak | Unfinished | 7/8" x 250' | Pre-glued | PRORO78PG |
| Red Oak | Unfinished | 7/8" x 500' | No Glue | PRORO78NG |
| Walnut | Unfinished | 7/8" x 500' | No Glue | PROWAL78NG |
| White Oak | Unfinished | 7/8" x 500' | No Glue | PROWO78NG |

PREFINISHED

| Species | Finish | Width x Length | Description | Item Number |
|---------|-------------|----------------|-------------|--------------|
| Birch | Prefinished | 7/8" x 250' | Pre-glued | PROBIR78PFG |
| Birch | Prefinished | 7/8" x 500' | No Glue | PROBIR78PFNG |
| Maple | Prefinished | 7/8" x 250' | Pre-glued | PROMAP78PFG |
| Maple | Prefinished | 7/8" x 500' | No Glue | PROMAP78PFNG |

PRO ORBITAL SANDER

Type: PRO Random Orbital Sander

- Durable aluminum housing and hardened steel parts prolong sander life and reduce vibration
- Powerful 2.8 HP motor
- 5" Diameter
- 12,000 RPM
- Weighs only 1.9 lbs.
- 2.75" comfort grip
- All metal housing
- PSA non-vac backing pad included



**WHAT PRO SERIES MEANS TO YOU:
QUALITY. AFFORDABLE. IN-STOCK.**

- Backed by a limited lifetime warranty
- Inventoried locally for expedient delivery

| Item Number | Description |
|-------------|-------------|
| PRO05316P | 3/16" Orbit |
| PRO05332P | 3/32" Orbit |

PRO SHELF SUPPORTS

PRO White Shelf Support



| Item Number | Description |
|-------------|--------------------|
| PROSS23WT | 5mm Nylon with Pin |

PRO Clear Shelf Support



| Item Number | Description |
|-------------|--------------------|
| PROSS23CLR | 5mm Nylon with Pin |

PRO L Shaped Shelf Support

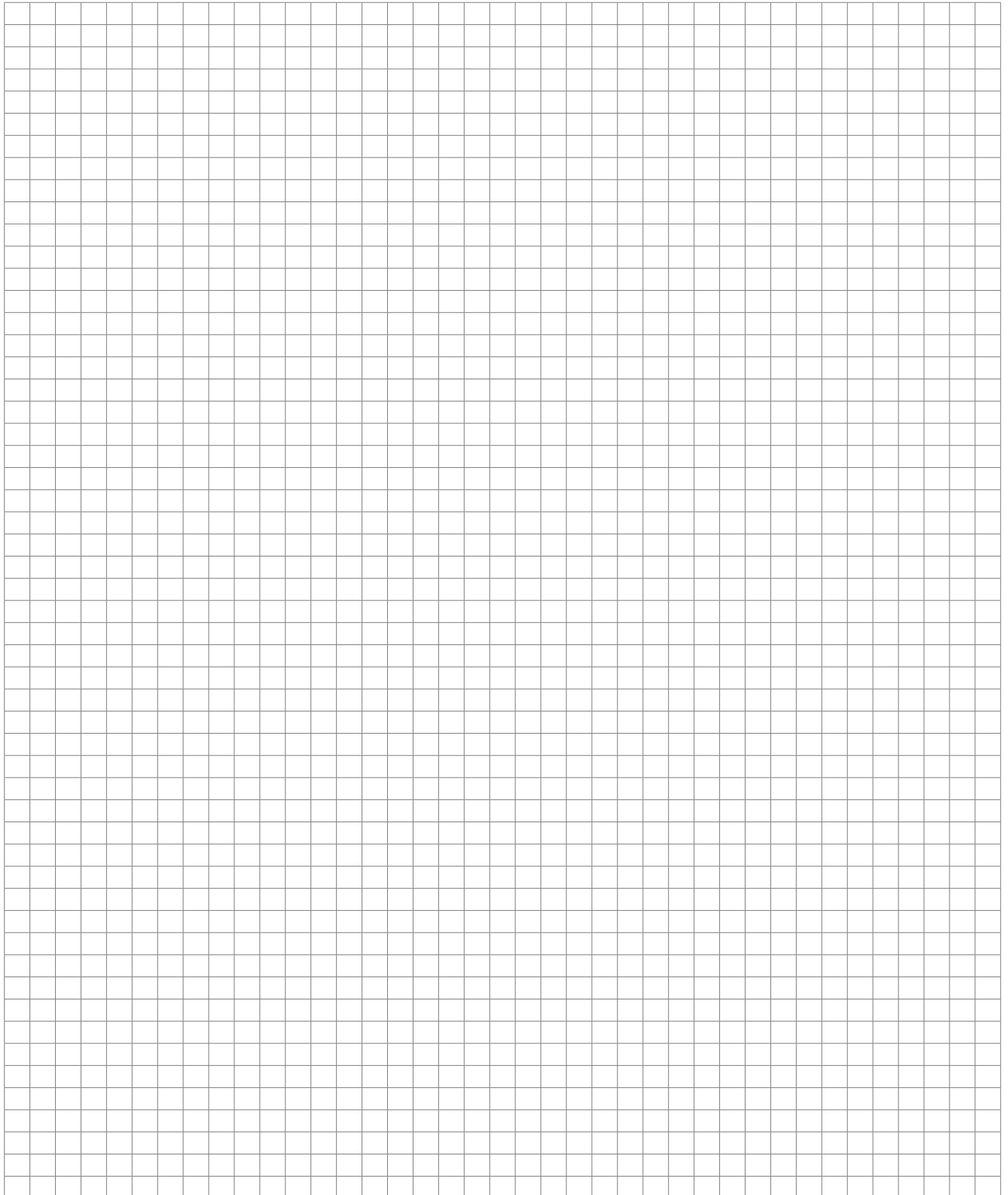


| Item Number | Description |
|--------------|-------------|
| PROSS015MMNI | 5mm Nickel |
| PROSS0114NI | 1/4" Nickel |

PRO Spoon Shelf Support



| Item Number | Description |
|--------------|---------------------|
| PROSS2114NI | 1/4" Nickel |
| PROSS2114PB | 1/4" Polished Brass |
| PROSS215MMNI | 5mm Nickel |
| PROSS215MMPB | 5mm Polished Brass |



ATLANTA GA

5075 N. Buford Hwy, Ste. 100
Norcross, GA 30071
678.924.0386
FAX 678.924.0391

CHATTANOOGA TN

234 Direct Connection Drive
Rossville, GA 30741
706.891.2000
FAX 706.891.4229

MOBILE AL

3440 Armour Ave
Mobile, AL 36617
251.378.0188
FAX 251.378.0190

RICHMOND VA

1701 Rhoadmiller Street
Richmond, VA 23220
804.359.1374
FAX 804.353.3206

BALTIMORE MD

6660 Santa Barbara Road
Elkridge, MD 21075
410.796.7600
FAX 410.796.7729

DECATUR AL

723 Old Trinity Road
Decatur, AL 35601
256.355.3161
FAX 256.355.0073

MONTGOMERY AL

581 Trade Center Street
Montgomery, AL 36108
334.265.6721
FAX 334.265.6725

ROANOKE VA

3443 Aerial Way Drive
Roanoke, VA 24018
855.300.4455
FAX 540.344.2306

BIRMINGHAM AL

1640 Mims Ave., SW
Birmingham, AL 35211
205.925.7601
Fax 205.923.9511

GREENSBORO NC

201 S. Pendelton Street
High Point, NC 27260
336.431.2712
FAX 336.431.2750

NASHVILLE TN

634 Melrose Avenue
Nashville, TN 37211
615.254.8719
FAX 615.254.8521

TAMPA FL

5102-B W. Hanna Avenue
Tampa, FL 33634
800.432.1149
FAX 813.887.1902

CHARLESTON SC

4325 Lear Avenue
N. Charleston, SC 29418
843.529.0808
FAX 843.529.0805

GREENVILLE SC

1441 Hwy 101 South
Greer, SC 29652
864.877.7328
FAX 864.877.7413

NORFOLK VA

3307 Chesapeake Blvd.
Norfolk, VA 23513
757.855.3908
FAX 757.857.6133

CHARLOTTE NC

4250 Golf Acres Drive
Charlotte NC 28208
704.394.9479
FAX 704.398.2162

MEMPHIS TN

5805 Advantage Cove
Memphis, TN 38141
901.367.6699
FAX 901.367.4889

RALEIGH NC

4213 Poole Road
Raleigh, NC 27610
919.231.6620
FAX 919.231.9687

Some items shown may not be stocked in all branches. Please call for availability. We regret that we cannot be liable for pictorial, typographical, or errors.

PRO Value Series 10.2019

Copyright© Wurth Wood Group 2019. All rights reserved.

www.wurthwoodgroup.com

You Decide, We Deliver